



## CSSBI 61-2018:

# Manufacturer Certification Requirements for Cold Formed Steel Framing Members

Copyright © June 2018 All rights reserved. This publication, nor any part thereof, may be reproduced in any form without the written permission of the publisher.

## TABLE OF CONTENTS

1	Forward .....	2
2	Program Ownership .....	2
3	Reference Documents .....	2
4	Definitions .....	3
5	Eligibility .....	3
6	Products Requirements .....	4
7	Quality Management System and Requirements .....	4
8	Administrator Review of Applications .....	5
9	Compliance and Quality Assurance Certification Authorization .....	6
10	Notice of Failure to Qualify .....	6
11	Official List of Certification Program Participants .....	6
12	Change in Manufacturing Location .....	6
13	Field Testing of Product .....	6
14	Audit of Manufacturing Plants or Facilities .....	6
15	Audit Report .....	7
16	Action Items .....	7
17	Notice of Non-Compliance .....	8
18	Manufacturer's Response to Corrective Action Requests and Notices of Non-Compliance .....	8
19	Revocation of Compliance Authorization .....	8
20	Compliance Label .....	9
21	Questions Related to the CSSBI Certification Program .....	9
	Appendix A: Product Sizes and Specifications .....	10

## 1. FORWARD

- 1.1 These requirements are part of a third-party *Certification Program* developed by the Canadian Sheet Steel Building Institute (CSSBI) for non-structural and structural cold formed steel framing members.
- 1.2 Under the CSSBI *Certification Program*, a participating *Manufacturer* certifies that the designated structural and non-structural cold formed steel (CFS) framing members it produces meets or exceeds the ASTM International (ASTM), Canadian Standards Association (CSA) and American Iron and Steel Institute (AISI) standard requirements listed in Section 3. The *Manufacturer's Product* certification is *Validated* by the *Administrator* through review of the *Manufacturer's Product* and production practices, appropriate testing and inspection.
- 1.3 The *Certification Program* applies to *Products* manufactured for sale in Canada that fall within the range of standard sizes specified by the CSSBI. The *Certification Program* does not restrict the *Manufacturer* from producing products for export or non-standard sizes for sale in Canada that do not comply with the *Certification Program*.
- 1.4 This *Certification Program* is designed so that *Products* qualifying for certification meet the requirements of the National Building Code of Canada.
- 1.5 A diligent effort has been made to develop a responsible *Certification Program*. However, the CSSBI makes no representation, warranty, or guarantee in connection with the standards or the program, and expressly disclaims any liability or responsibility for loss or damage resulting from participation; for any violation of federal, provincial or municipal regulation with which the underlying standards may conflict; or for the infringement of any patent from the use of the code-referenced standards.

## 2. PROGRAM OWNERSHIP

- 2.1 The Canadian Sheet Steel Building Institute (CSSBI) is the owner and sponsor of this *Certification Program*.

## 3. REFERENCE DOCUMENTS

The publication date for the listed reference documents is the earliest applicable edition. Later editions may be used at the option of the *Manufacturer*.

- 3.1 American Society for Testing and Materials (ASTM)

ASTM A370-17, Standard Test Methods and Definitions for Mechanical Testing of Steel Products.

ASTM A653/A653M-15e1, Standard Specification for Steel Sheet Zinc-Coated (Galvanized) or Zinc-Iron Alloy-Coated (Galvannealed) by the Hot-Dip Process

ASTM A792/A792M-10 (2015), Standard Specification for Steel Sheet, 55% Aluminum-Zinc Alloy-Coated by the Hot-Dip Process

ASTM A924/A924M-17, Standard Specification for General Requirements for Sheet Steel, Metallic Coated by the Hot-Dip Process.

ASTM C645-14e1, Standard Specification for Nonstructural Steel Framing Members

ASTM C754-17, Standard Specification for Installation of Steel Framing Members to Receive Screw-Attached Gypsum Panel Products

ASTM C955-17, Standard Specification for Cold-Formed Steel Structural Framing Members

- 3.2 Canadian Standards Association (CSA)

CAN/CSA-S136-2016, North American Specification for the Design of Cold-Formed Steel Structural Members

### 3.3 American Iron and Steel Institute (AISI)

S220-2015, North American Standard for Cold-Formed Steel Framing – Nonstructural Members

S240-2015, North American Standard for Cold-Formed Steel Framing – Structural Members

### 3.4 ICC Evaluation Service

ICC-ES-AC86, Acceptance Criteria for Cold-Formed Steel Framing Members – Interior Nonload-Bearing Wall Assemblies, May 2012

### 3.5 National Research Council (NRC)

National Building Code of Canada, 2015

## 4. DEFINITIONS

- 4.1 *Administrator*: Entity contracted by the *Manufacturer* to carry out the administration and validation functions of the *Certification Program*. The *Administrator* shall be accredited in accordance with ISO/IEC 17020 or 17065 and acceptable to the CSSBI.
- 4.2 *Auditor*: *Administrator's* agent that physically conducts facility audits and submits their findings to the *Administrator*.
- 4.3 *Certification Program*: The program described by these *Certification Program* requirements.
- 4.4 *Compliance Label*: The marking on certified *Products* to identify them as meeting the requirements of this *Certification Program*. (See Section A10)
- 4.5 *Manufacturer*: A company that manufactures cold formed steel framing members.
- 4.6 *Non-Structural Member*: A member in a steel-framed system that complies with ASTM C645 and AISI S220 that is not part of the gravity load-resisting system, lateral force-resisting system or building envelope.
- 4.7 *Product*: *Non-Structural* and *Structural* cold formed steel framing products.
- 4.8 *Structural Member*: A member that complies with ASTM C955 and AISI S240 that resists factored loads, as required by the applicable building code, except when defined as a *Non-Structural Member*.
- 4.9 *Verify*: Determine that the activity or condition conforms to specified *Certification Program* requirements.
- 4.10 *Validate*: The process by which a separate determination is made that a *Manufacturer's* certification is in accordance with the *Certification Program* requirements.

## 5. ELIGIBILITY

- 5.1 All CSSBI LSF *Manufacturer* members are required to participate in this *Certification Program* for the *Products* covered.
- 5.2 For *Manufacturers* with more than one manufacturing plant or facility, each plant or facility producing *Products* must participate in the *Certification Program* independently for the products covered.
- 5.3 Each participating manufacturing facility shall be subject to audits as outlined in these *Certification Program* requirements.

## 6. PRODUCTS REQUIREMENTS

6.1 *Products* shall comply with the dimensions, tolerances and marking requirements given in Appendix A.

## 7. QUALITY MANAGEMENT SYSTEM AND REQUIREMENTS

- 7.1 Participating *Manufacturers* are required to document their quality control program in a quality management system that meets the following requirements.
- 7.1.1 A quality manual is required for each manufacturing facility that will be manufacturing *Products*.
  - 7.1.2 The quality manual shall be signed and dated by an authorized representative of the *Manufacturer*.
  - 7.1.3 The quality manual shall clearly state the facility name of the manufacturing location, the street address and telephone number, and the name of the contact person at the facility.
  - 7.1.4 There shall be provisions for the quality manual to be reviewed at least annually. A record of revisions shall be maintained.
  - 7.1.5 The quality management system shall indicate how the recognized *Product* is to be identified in the field.
  - 7.1.6 The quality management system shall provide a means to trace finished *Product* back to the production and quality control records at the manufacturing facility.
  - 7.1.7 The quality management system shall include a description of the duties and responsibilities assigned to key positions in the quality program.
  - 7.1.8 The quality management system shall describe the process whereby (1) records are kept of all significant complaints about the *Product(s)* covered by the listing or evaluation report; (2) appropriate action is taken with respect to such complaints; and (3) the actions taken are documented.
- 7.2 The quality management system shall include detail drawings of all *Products*.
- 7.3 **Tests shall Verify the following:** Steel thickness, yield stress, tensile strength, total elongation, coating type and coating mass. Where required by Section A3.2 of CSA-S136, verification of ductility shall be included.
- 7.3.1 For steel specified as complying with one of the steel specifications noted in Section A3.1 of CSA-S136, verification for each incoming steel coil shall be in the form of mill certificates or independent laboratory tests.
  - 7.3.2 For steel permitted under Section A3.2 of CSA-S136, test data for each incoming steel coil shall be from independent laboratory tests.
  - 7.3.3 For steel without a mill certificate identifying a published steel specification, the values for yield stress ( $F_y$ ) and tensile strength ( $F_u$ ) shall be verified in accordance with Section A3.2 of CSA-S136.
  - 7.3.4 Records of all mill certificates, independent laboratory tests and in-house tests shall be accessible by the *Manufacturer* for a minimum of two years.
- 7.4 **Coils without Mill Certification:**
- 7.4.1 Material without mill certification requires periodic measurement of material base steel thickness (uncoated). The base steel thickness can be determined from measuring the coated thickness and deducting the following metallic coating thickness:

Coating Designation (Imperial)	Coating Designation (Metric)	Coating Thickness (in)	Coating Thickness (mm)
G40	Z120	0.0007	0.017
G60	Z180	0.0010	0.025
G90	Z275	0.0015	0.039
AZ50	AZM150	0.0016	0.040
AZ55	AZM165	0.0017	0.044

- 7.4.2 Measurements of material thickness shall be performed with calibrated equipment, either in-house or by an independent laboratory.
- 7.4.3 Measure each slit coil at two locations: the beginning, and the end.
- 7.4.4 Quality control tests for yield stress, tensile strength, and elongation shall be conducted in accordance with ASTM A370. Testing for the metallic coating shall be conducted in accordance with ASTM A924/A924M.

- 7.4.5 In addition to the tests listed in Section 8.4, the documentation shall include the following:
- Minimum yield stress used in design.
  - Minimum base steel thickness (uncoated) allowed for each designation thickness. Minimum base steel thickness shall not be less than 95 percent of the design thickness.
- 7.5 **Incoming Materials:** The quality management system shall include procedures regarding inspections or tests that are conducted on incoming materials, or other means used to determine that the materials meet specifications (for example, mill test reports, certificates of analysis, certificates of compliance, etc.). If incoming material requiring a certificate at the time of receipt does not carry such a certificate, then the documentation shall contain provisions for the material to be segregated until it has been appropriately tested or inspected, or the certificate is received.
- 7.6 **Process Quality Control:** The quality management system shall describe the process quality control procedures, including how manufacturing processes are monitored to ensure that the *Product* is consistently manufactured within the allowable tolerances and any final inspections and/or tests that are conducted before the *Product* bundle is labeled and shipped.
- 7.7 **Nonconforming Materials:** The quality management system shall specify how nonconforming materials—incoming materials, materials in production, and finished materials—are segregated from production until a decision is made as to their disposition.
- 7.8 **Measuring and Test Equipment:**
- 7.8.1 The quality management system shall identify the measuring and test equipment that is used to determine whether *Products* and materials meet minimum specifications.
- 7.8.2 As regards the equipment addressed in Section 7.8.1, the quality management system shall note the frequency of equipment calibration, and the means of determining the traceability of measurements to national standards.
- 7.9 **Inspection and Test Records:** As regards any forms, checklists, reports, etc., used by in-house personnel to document tests, inspections, and other quality control procedures:
- 7.9.1 The quality management system shall identify these documents.
- 7.9.2 The quality management system shall describe how the completed documents are approved by responsible personnel.
- 7.9.3 The quality management system shall contain a statement committing the *Manufacturer* to retaining the completed forms, checklists, and reports for a minimum of two years. (In cases where third-party inspections are required, the statement shall also say that the resulting inspection reports will be accessible for at least two years.)

## 8. ADMINISTRATOR REVIEW OF APPLICATIONS

- 8.1 The prospective *Manufacturer* submits all required application documents, including its quality manual, to the *Administrator*.
- 8.2 The *Administrator* shall review and respond to applications within 30 days. The *Administrator's* response shall indicate receipt of application documents, including the quality manual, and indicate whether additional information is required.
- 8.3 After approval of the application documents, an initial announced audit (agreed upon date) shall be scheduled by the *Administrator*. During the initial audit, the *Administrator* shall *Verify* that the quality management system in use is the same as represented by the approved quality manual.

## 9. COMPLIANCE AND QUALITY ASSURANCE CERTIFICATION AUTHORIZATION

- 9.1 Compliance and quality assurance certification authorization shall be the responsibility of the *Administrator*. Authorization shall be based upon receipt of an approved quality manual, the initial manufacturing facility audit, and other information necessary to demonstrate compliance with the *Certification Program* requirements as submitted by the *Manufacturer*.
- 9.2 When the *Administrator* determines that the *Certification Program* requirements are satisfied, it shall issue a compliance and quality assurance certification authorization, and add the *Manufacturer's* facility to the certified manufacturing facilities list.
- 9.3 The compliance and quality assurance certification authorization shall be sent to the *Manufacturer* with the following information:
- 9.3.1 The date on which certification authorization has been granted for the manufacturing facility.
  - 9.3.2 *Manufacturer's* name and manufacturing location.
- 9.4 Upon receipt of a compliance and quality assurance certification authorization, the *Manufacturer* is permitted to use the *Compliance Label*.

## 10. NOTICE OF FAILURE TO QUALIFY

- 10.1 If the application or initial manufacturing facility audit does not demonstrate compliance with all the *Certification Program* requirements, the *Manufacturer* shall be issued a report and action items, as per sections 14 and 15. Only after successful resolution of the action items, to the satisfaction of the *Administrator*, shall compliance and quality certification authorization be granted.
- 10.2 The notice shall include:
- 10.2.1 *Manufacturer's* name and plant location.
  - 10.2.2 The specific issue(s) on which failure to qualify is based.

## 11. OFFICIAL LIST OF CERTIFICATION PROGRAM PARTICIPANTS

- 11.1 When a compliance and quality assurance certification authorization is issued, the *Manufacturer* is entered into the certified manufacturing facilities list which is accessible via the Internet.
- 11.2 The certified manufacturing facilities list shall contain the following:
- 11.2.1 Each *Manufacturer's* name and plant location.
  - 11.2.2 Optional hyperlink to the *Manufacturer's* web site.
- 11.3 Maintenance of the certified manufacturing facilities list shall be the responsibility of the *Administrator*.

## 12. CHANGE IN MANUFACTURING LOCATION

- 12.1 If a manufacturing facility producing *Certified Products* under this *Certification Program* is moved from one location to another, it is required to undergo an evaluation as a new plant.

## 13. FIELD TESTING OF PRODUCT

- 13.1 Any *Manufacturer* may submit samples and proof of non-compliance of *Product* to *Administrator*, identified by date and location of collected sample.
- 13.2 Upon receipt of field samples per 13.1 the *Administrator* may arrange for immediate unannounced audit of the *Manufacturer* at its discretion; and under any circumstance, shall include information of non-compliance as part of the next audit.

## 14. AUDIT OF MANUFACTURING PLANTS OR FACILITIES

- 14.1 The *Administrator* shall conduct an initial announced audit of the *Manufacturer's* facility after receipt of a satisfactory application.

- 14.2 Subsequent audits shall be done unannounced and semi-annually. The first unannounced audit shall be conducted within 3 months of certification. The *Administrator* will phone the *Manufacturer* to confirm if the first or secondary contact is available. Once confirmed the *Auditor* will visit the company during that day and perform the unannounced audit.
- 14.3 The *Manufacturer* shall designate an audit contact to be responsible for working with the *Auditor* during the in-plant or in-facility audits.
- 14.3.1 The audit contact shall be familiar with all production and quality control processes at that plant and be able to provide full access to all areas as requested by the *Auditor*.
- 14.3.2 It is required that at least one secondary contact be available that can work with the *Auditor* in the event the primary audit contact is not available when the *Auditor* arrives.
- 14.3.3 If a knowledgeable person is not available, the audit cannot be completed and a re-audit shall be conducted.
- 14.4 During the audit, the *Auditor* shall have copies of the *Certification Program* requirements, the *Manufacturer's* quality manual, and other information submitted by the *Manufacturer* to support approval for participation.
- 14.5 During the manufacturing facility audits, the *Auditor* shall *Verify* that:
- 14.5.1 The manufacturing facility quality management system used in practice is in compliance with the quality management system approved by the *Administrator* for participation in the *Certification Program*.
- 14.5.2 The *Products* being produced are consistent with those approved for participation in the *Certification Program*.
- 14.6 The *Auditor* shall select three samples of *Structural* and three samples of *Non-Structural Products* to confirm the following properties:
- 14.6.1 *Product* shape: The samples shall be evaluated for compliance with Sections A5 through A9.
- 14.6.2 Marking: The samples shall be evaluated for compliance with Section A10.

## 15. AUDIT REPORT

- 15.1 Following each audit of the *Manufacturer's* manufacturing facility the *Administrator* shall submit a comprehensive report of the *Auditor's* findings to the participating *Manufacturer*.
- 15.2 The *Auditor* shall discuss all findings with the audit contact or company representative at the time of the on-site audit, and shall leave behind an audit report. This is shall normally be done at a closing conference following completion of the audit.
- 15.3 The audit report shall be issued by the *Administrator* and shall contain all official comments, or decisions with respect to compliance or non-compliance with the *Certification Program* requirements. The report shall also outline any matters requiring clarification, or any other required action on the part of the *Manufacturer*, with associated deadlines for response.
- 15.4 The audit report shall be confidential and shall be sent only to the *Manufacturer's* designated representative.

## 16. ACTION ITEMS

- 16.1 Issues of non-compliance with the *Certification Program* requirements shall result in the issuance of a Corrective Action Request (CAR) as part of the audit report. The *Manufacturer* shall respond to all CARs within the time frame stipulated in the audit report. CAR items may include, but are not limited to, the following:
- 16.1.1 Inconsistencies between the approved quality control manual and actual practice that do not affect *Product* compliance with the *Certification Program* performance requirements.
- 16.1.2 Lack of records providing traceability from finished *Product* to quality control records.
- 16.1.3 Improper use of *Compliance Labels*.
- 16.1.4 Illegible marking. This may include, but is not limited to, any of the following: intermittent marking illegibility, intermittent skips of ink, improper spacing of marking, and intermittent mis-marking of *Product* description due to operator error.
- 16.1.5 Disregard of marking requirements (e.g. not including all of the required items).

## 17. NOTICE OF NON-COMPLIANCE

- 17.1 Issues of non-compliance with the *Certification Program* requirements shall result in issuance of a notice of non-compliance. Issues of non-compliance include, but are not limited to, the following:
- Failure to respond to audit report CARs within 30 days of receipt of the audit report.
  - Failure to follow through with CAR resolutions.
  - Labeling *Products* not included in the *Certification Program*.
  - Intentional labeling of *Products* fabricated from material that does not comply with *Certification Program* requirements.
  - Intentional labeling of *Products* not meeting the dimensional requirements for certified *Products*.
  - Failure of samples selected during audits for *Administrator* evaluation to meet the performance criteria of the *Certification Program*, with respect to thickness, yield stress, or coating mass.
  - Intentional use of *Compliance Labels* in a manner not permitted by the *Certification Program*.
  - Failure to have *Product* available for inspection and sampling at each audit.
- 17.2 The Notice of Non-Compliance shall state:
- The reason for issuance of the notice of non-compliance.
  - Instruction for responding to the *Administrator*.
  - A deadline within which a response must be received by the *Administrator* to avoid a revocation of compliance authorization.

## 18. MANUFACTURER'S RESPONSE TO CORRECTIVE ACTION REQUESTS AND NOTICES OF NON-COMPLIANCE

- 18.1 In the event that action items have been issued, the *Manufacturer* shall be given a period of 30 days from the date of receipt of the audit report to address action CARs to the satisfaction of the *Administrator*.
- 18.2 In the event that a notice of non-compliance has been issued, the *Manufacturer* shall be required to respond to the notice of non-compliance within 10 days of receipt with an action plan that outlines a proposal to resolve the non-compliance issue(s). The *Administrator* shall either accept the action plan as submitted or work with the *Manufacturer* to revise the plan to their satisfaction. Following approval of the action plan by the *Administrator*, the *Manufacturer* shall have 30 days from receipt of approval to implement the plan. The *Administrator* shall conduct a follow-up audit to *Verify* implementation.

## 19. REVOCATION OF COMPLIANCE AUTHORIZATION

- 19.1 When a revocation of compliance authorization is issued, the manufacturing facility is removed from the certified manufacturing facilities list.
- 19.2 The following issues shall result in issuance of a revocation of compliance authorization:
- Failure to respond to a notice of non-compliance with an action plan.
  - Failure to implement an approved action plan.
- 19.3 When a *Manufacturer* is issued a revocation of compliance authorization for a specific manufacturing facility, the *Manufacturer* shall immediately discontinue use of *Compliance Labels* at that facility.
- 19.3.1 All references to participation on the CSSBI *Certification Program* for *Products* shall cease for that location.
- 19.3.2 All affected *Products* within the *Manufacturer's* control shall have the *Compliance Labels* obliterated or removed.
- 19.4 The *Certification Program* is structured to allow revocation of compliance authorization for *Products* produced at a particular facility. *Manufacturers* that produce the same *Product* at multiple facilities may continue to market compliant *Products* produced at facilities not listed in the *Administrator's* notice of revocation of compliance authorization. However, when doing so *Manufacturers* shall market such compliant *Products* in a manner that does not result in confusion or deception to consumers, distributors or others.
- 19.5 Once a notice of revocation of compliance authorization is issued for a manufacturing location, a new notice of compliance authorization may only be applied for after satisfying the compliance requirements of the *Certification Program*.



## 20. COMPLIANCE LABEL

- 20.1 *Manufacturers* must use the official *Compliance Label on Products* to identify all compliant *Products* and may use the *Compliance Label on Product literature* and/or *Products* to identify compliant *Products*.
- 20.2 The *Administrator* shall have sole authority to authorize application of *Compliance Labels* at the request of the *Manufacturer*.
- 20.3 *Compliance Labels* shall be affixed to each *Product* as described in Section A10.
- 20.4 By applying *Compliance Labels*, the *Manufacturer* is certifying that the *Products* bearing the label comply with the *Certification Program* requirements.
- 20.5 Only *Compliance Labels* developed and approved by the CSSBI may be applied.
- 20.6 *Compliance Labels* on *Products* shall be applied at the time and place of manufacture.
- 20.7 The *Compliance Label* shall be used in its entirety and may not be modified by the *Manufacturer* without written consent from the CSSBI.
- 20.8 The *Compliance Label* shall not be used or placed in such a manner as to imply any other endorsements or certifications by CSSBI or the *Administrator*.
- 20.9 *Manufacturers* may use the *Compliance Label* in literature when it appears in direct connection with references to this *Certification Program* and only on pages where all *Products* are certified.
- 20.10 No CSSBI LSF *Manufacturer* member is permitted to use *Compliance Labels* in literature if they have received a revocation of certification.

## 21. QUESTIONS RELATED TO THE CSSBI CERTIFICATION PROGRAM

- 21.1 Questions about the CSSBI *Certification Program* or applicability of specific sections of the *Certification Program* shall be asked of the *Administrator*.

## APPENDIX A: PRODUCT SIZES AND SPECIFICATIONS

### A1. Base Steel Thickness

*Products* shall be cold-formed to shape from sheet steel with a steel thickness listed in Table A1-1. *Product* thickness shall be referenced to the corresponding designation thickness. *Manufacturers of non-structural* members (NS) who can show third-party testing in accordance with ICC-ES AC86 (Approved May 2012), and conform to the limiting height tables in ASTM C754, need not meet the minimum base steel thickness limitation set forth in Table A1-1.

Table A1-1: Thickness				
Designation Thickness	Minimum Base Steel Thickness		Design Thickness	
	(inch)	(mm)	(inch)	(mm)
NS	95% of Design Thickness		By Manufacturer	
18	0.0179	0.455	0.0188	0.478
33	0.0329	0.836	0.0346	0.879
43	0.0428	1.087	0.0451	1.146
54	0.0538	1.367	0.0566	1.438
68	0.0677	1.720	0.0713	1.811
97	0.0966	2.454	0.1017	2.583

### A2. Material Specification

*Products* shall be cold-formed to shape from sheet steel in compliance with the requirements of ASTM A653/A653M Type SS or ASTM A792/A792M Type SS. The design yield stress of the material shall be related to the thickness as listed in Table A2-1. The applicable yield stress (metric or imperial units) is based on how the *Manufacturer* orders steel from the steel supplier. *Non-Structural* (NS) members may have a design yield stress greater than 33 ksi (230 MPa) if the *Product* satisfies the applicable requirements of ASTM C645.

Table A2-1: Design Yield Stress		
Designation Thickness	Design Yield Stress	
	(ksi)	(MPa)
NS	By Manufacturer	
18	33	230
33	33	230
43	33	230
54	50	345
68	50	345
97	50	345

### A3. Product Designator

*Products* shall comply with the minimum metallic coating weight [mass] requirements shown in Table A3-1.

<b>Member Type</b>	<b>Coating Designation</b>
Structural	G60 [Z180] <sup>A</sup> AZ50 [AZM150] <sup>B</sup>
Non-Structural	G40 [Z120] <sup>A</sup> AZ50 [AZM150] <sup>B</sup>

<sup>A</sup> Zinc-coated steel sheet as described in ASTM Specification A653/A653M.

<sup>B</sup> 55% aluminum-zinc alloy-coated steel sheet as described in ASTM Specification A792/A792M.

### A4. Product Designator

References to *Structural* and *Non-Structural Products* shall use a four-part *Product* designator that identifies the size (both web depth and flange width), style, and thickness. The standard designator as described (i.e., based on Imperial units) shall be used for either Imperial or SI Metric units. The *Product* designator shall consist of the following sequential codes:

A three- or four-digit numeral indicating member web depth in 1/100 inch.

A letter indicating:

S = Stud or joist framing member which has lips

T = Track section

A three-digit numeral indicating flange width in 1/100 inch, followed by a dash, and a two- or three-digit numeral indicating designation thickness.

## A5. Product Sizes

The standard shapes for *Products* are listed in Tables A5-1 through A5-3. *Structural* members have a thickness of 33 to 97 mils. *Non-Structural* members are identified as NS.

Table A5-1: Wall Stud Sizes						
Designation	Thickness (mils)					
	NS/18	33	43	54	68	97
162S125	X					
250S125	X					
362S125	X	X	X	X		
362S162		X	X	X	X	X
362S200		X	X	X	X	X
362S250		X	X	X	X	X
362S300		X	X	X	X	X
400S125	X	X	X	X		
400S162		X	X	X	X	X
400S200		X	X	X	X	X
400S250		X	X	X	X	X
400S300		X	X	X	X	X
600S125	X	X	X	X		
600S162		X	X	X	X	X
600S200		X	X	X	X	X
600S250		X	X	X	X	X
600S300		X	X	X	X	X
800S162			X	X	X	X
800S200			X	X	X	X
800S250			X	X	X	X
800S300			X	X	X	X

Table A5-2: Floor Joist Sizes				
Designation	Thickness (mils)			
	43	54	68	97
600S162	X	X	X	X
600S200	X	X	X	X
600S150	X	X	X	X
600S300	X	X	X	X
800S162	X	X	X	X
800S200	X	X	X	X
800S250	X	X	X	X
800S300	X	X	X	X
1000S162		X	X	X
1000S200		X	X	X
1000S250		X	X	X
1000S300		X	X	X
1200S162			X	X
1200S200			X	X
1200S250			X	X
1200S300			X	X
1400S162			X	X
1400S200			X	X
1400S250			X	X
1400S300			X	X

Table A5-3: Track Sizes						
Designation	Thickness (mils)					
	NS/18	33	43	54	68	97
162T125	X					
250T125	X					
362T125	X	X	X	X	X	X
362T200		X	X	X	X	X
362T300		X	X	X	X	X
400T125	X	X	X	X	X	X
400T200		X	X	X	X	X
400T300		X	X	X	X	X
600T125	X	X	X	X	X	X
600T200		X	X	X	X	X
600T300		X	X	X	X	X
800T125			X	X	X	X
800T200			X	X	X	X
800T300			X	X	X	X
1000T125				X	X	X
1000T200				X	X	X
1000T300				X	X	X
1200T125					X	X
1200T200					X	X
1200T300					X	X
1400T125					X	X
1400T200					X	X
1400T300					X	X

## A6. Tolerances

*Structural members* shall comply with the manufacturing tolerances in AISI S240 (listed in Table A6-1, and illustrated in Figure A6-1). *Non-Structural members* shall comply with the manufacturing tolerances in AISI S220 (listed in Table A6-2, and illustrated in Figure A6-1). All measurements shall be taken not less than 1 ft (305 mm) from the end of the member.

Table A6-1: Manufacturing Tolerances for Structural Members			
Dimension <sup>1</sup>	Item Checked	Studs, in. (mm)	Tracks, in. (mm)
A	Length	+3/32 (2.38)	+ 1/2 (12.7)
		-3/32 (2.38)	-1/4 (6.35)
B <sup>2</sup>	Web Depth	+1/32 (0.79)	+1/32 (0.79) <sup>4</sup>
		-1/32 (0.79)	+1/8 (3.18) <sup>4</sup>
C	Flare	+1/16 (1.59)	+0 (0)
	Overbend	-1/16 (1.59)	-3/32 (2.38)
D	Hole Center Width	+1/16 (1.59)	NA
		-1/16 (1.59)	NA
E	Hole Center Length	+1/4 (6.35)	NA
		-1/4 (6.35)	NA
F	Crown	+1/16 (1.59)	+1/16 (1.59)
		-1/16 (1.59)	-1/16 (1.59)
G <sup>3</sup>	Camber	1/8 per 10 ft (3.13 per 3 m)	1/32 per ft (2.60 per m)
			1/2 max (12.7)
H <sup>3</sup>	Bow	1/8 per 10 ft (3.13 per 3 m)	1/32 per ft (2.60 per m)
			1/2 max (12.7)
I	Twist	1/32 per ft (2.60 per m)	1/32 per ft (2.60 per m)
		1/2 max (12.7)	1/2 max (12.7)
J	Flange Width	+1/8 (3.18)	+1/4 (6.35)
		-1/16 (1.59)	-1/16 (1.59)
K	Stiffening Lip Length	-1/8 (3.18)	NA
		-1/32 (0.79)	

<sup>1</sup> All measurements are taken not less than 1 ft (305 mm) from the end.

<sup>2</sup> Outside dimension for *stud*; inside for *track*.

<sup>3</sup> 1/8 inch per 10 feet represents L/960 maximum for overall camber and bow. Thus, a 20-foot-long member has 1/4 inch permissible maximum; a 5-foot-long member has 1/16-inch permissible maximum.

<sup>4</sup> The two over-tolerances are needed to ensure the stud depth is never greater than the track depth.

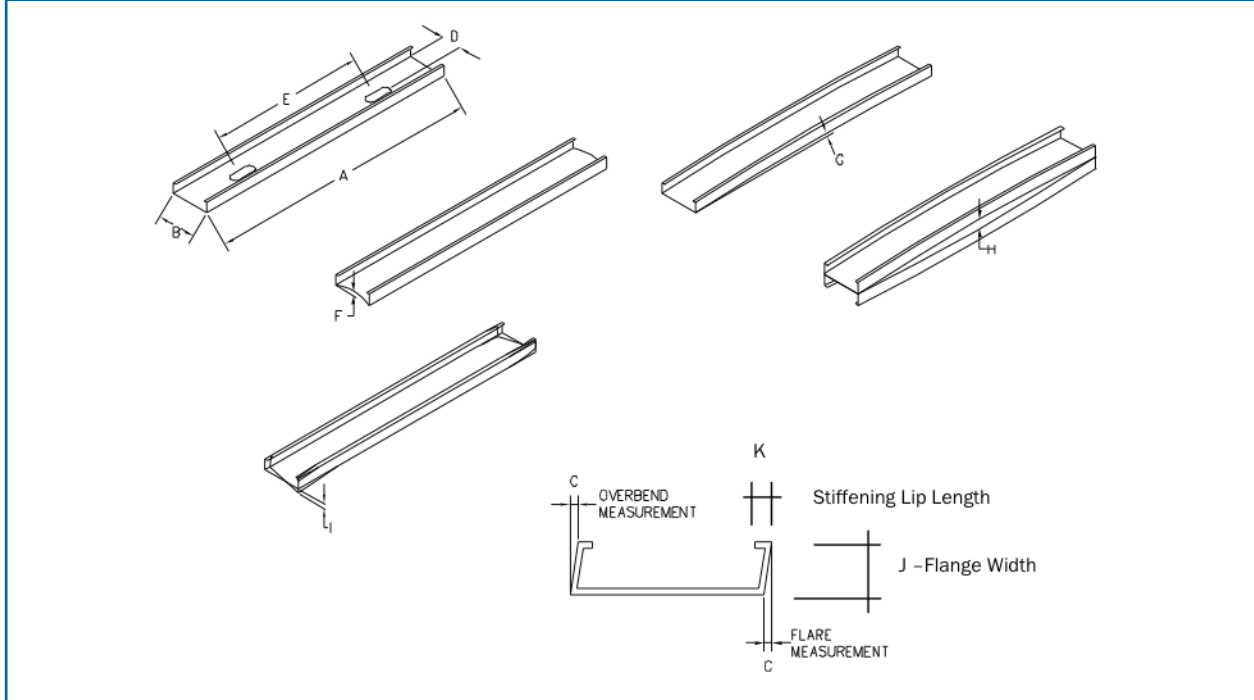
Table A6-2: Manufacturing Tolerances for Non-Structural Members			
Dimension <sup>1</sup>	Item Checked	Studs, in. (mm)	Tracks, in. (mm)
A	Length	+1/8 (3.18)	+ 1(25.40)
		-1/4 (6.35)	-1/4 (6.35)
B <sup>2</sup>	Web Depth	+1/32 (0.79)	+1/8 (3.18)
		-1/32 (0.79)	-0 (0)
C	Flare	+1/16 (1.59)	+0 (0)
	Overbend	-1/16 (1.59)	-3/16 (4.76)
D	Hole Center Width	+1/8 (3.18)	NA
		-1/8 (3.18)	NA
E	Hole Center Length	+1/4 (6.35)	NA
		-1/4 (6.35)	NA
F	Crown	+1/8 (3.18)	+ 1/8 (3.18)
		-1/8 (3.18)	- 1/8 (3.18)
G <sup>3</sup>	Camber	1/32 per ft (2.6 per m)	1/32 per ft (2.6 per m)
		1/2 max (12.7)	1/2 max (12.7)
H <sup>3</sup>	Bow	1/32 per ft (2.6 per m)	1/32 per ft (2.6 per m)
		1/2 max (12.7)	1/2 max (12.7)
I	Twist	1/32 per ft (2.6 per m)	1/32 per ft (2.6 per m)
		1/2 max (12.7)	1/2 max (12.7)
J	Flange Width	+1/8 (3.18)	+1/2 (12.7)
		-0	-1/16 (1.59)
K	Stiffening Lip Length	+1/8 (3.18)	NA
		-1/32 (0.79)	

<sup>1</sup> All measurements shall be taken not less than 1 ft (305 mm) from the end.

<sup>2</sup> Outside dimension for *stud*; inside for *track*.



Figure A6 1: Tolerance Measurements



### A7. Inside Bend Radius

The size of the inside bend radius used for design shall comply with the requirements shown in Table A7-1.

Table A7-1: Design Inside Bend Radius			
Designation Thickness	Inside Bend Radius		Tolerance
	(inch)	(mm)	
NS/18	0.0938	2.381	±1/16 in. (± 1.59 mm)
33	0.0764	1.941	-1/16 in. + 3/32 in. (-1.59 mm + 2.38 mm)
43	0.0712	1.808	-1/16 in. + 3/32 in. (-1.59 mm + 2.38 mm)
54	0.0849	2.156	-1/16 in. + 3/32 in. (-1.59 mm + 2.38 mm)
68	0.1069	2.715	- 3/32 in. + 1/16 in. (- 2.38 mm + 1.59 mm)
97	0.1525	3.874	- 3/32 in. + 1/16 in. (- 2.38 mm + 1.59 mm)

## A8. Lip Length

The lip length on a stud or joist shall be related to the flange width as listed in Table A8-1.

Section	Flange Width		Design Lip Length	
	(inch)	(mm)	(inch)	(mm)
S125	1-1/4	31.8	3/16	4.8
S162	1-5/8	41.3	1/2	12.7
S200	2	50.8	5/8	15.9
S250	2-1/2	63.5	5/8	15.9
S300	3	76.2	5/8	15.9

## A9. Punchouts

Unless specified otherwise by the *Manufacturer*, factory punchouts (perforations) shall comply with the following conditions:

1. Punchouts shall be spaced along the centerline of the web of the framing member;
2. Punchouts shall have a center-to-center spacing of not less than 24 inches (610 mm);
3. Punchouts shall have a width not greater than half the member depth or 2-1/2 inches (63.5 mm), whichever is less;
4. Punchouts shall have a length not exceeding 4-1/2 inches (114 mm); and
5. The distance from the center of the last punchout to the end of the member shall not be less than 12 inches (305 mm), unless otherwise specified.

Any configuration or combination of holes that fits within the punchout width and length limitations is permitted.

## A10. Marking - Compliance Labels

Individual *Products* shall have a legible label, stencil, or embossment on the member with the following minimum information:

1. The initials "CSSBI";
2. The manufacturer's identification (2 or 3 letters);
3. The designation steel thickness (in mils) exclusive of protective coatings; and,
4. A reference number identifying the source coil.

Example: "CSSBI-XYZ-33 ABCD" would be a 33 mil thick Structural Product manufactured by XYZ company who is a CSSBI Manufacturer Member from a coil identified as "ABCD".