



CSSBI 30M-2017: Standard for Steel Building Systems

Copyright © September 2017 All rights reserved. This publication, nor any part thereof, may be reproduced in any form without the written permission of the publisher.

PREFACE

One of the objectives of the CSSBI and its members is the development of standards that promote safety, performance and good practice. This Standard is published to assist designers, specifiers and users of Steel Building Systems (SBS) by providing information which can be adopted by reference where desired. It also can act as a reference for building code officials and other governing authorities.

The material presented herein has been prepared for the general information of the reader and care has been taken to ensure that the technical provisions contained herein are in accordance with sound engineering principles, augmented by experience. While the material is believed to be technically correct and in accordance with recognized practice at the time of publication, it does not obviate the need to determine its suitability for a given situation. Neither the CANADIAN SHEET STEEL BUILDING INSTITUTE nor its Members warrant or assume liability for the suitability of this Standard for any general or particular application.

Of necessity, much of the detailed information concerning the design requirements are contained in the various publications to which this Standard makes reference.

REFERENCE PUBLICATIONS

This publication makes reference to the following:

American Society for Testing and Materials (ASTM)	
A653/A653M	Steel Sheet, Zinc-Coated (Galvanized) or Zinc-Iron Alloy-Coated (Galvannealed) by the Hot-Dip Process
A792/A792M	Steel Sheet, 55% Aluminum-Zinc Alloy-Coated by the Hot-Dip Process
Canadian Sheet Steel Building Institute (CSSBI)	
B8	Buildings Incorporating Steel Building Systems: Responsibilities of the Parties Involved
C1	Certificate of Design and Manufacturing Conformance with NBC, 2015
S8	Quality and Performance Specification for Prefinished Sheet Steel Used for Building Product
Canadian Standards Association (CSA)	
CAN/CSA S16	Limit States Design of Steel Structures
CAN/CSA-S136	North American Specification for the Design of Cold-Formed Steel Structural Members
CSA-A660	Certification of Manufacturers of Steel Building Systems
W47.1	Certification of Companies for Fusion Welding of Steel
W55.3	Resistance Welding Qualification Code for Fabricators of Structural Members used in Buildings
W59-M	Welded Steel Construction (Metal Arc Welding)

National Research Council of Canada
National Building Code of Canada, 2015

1. SCOPE

- 1.1 This Standard covers the design, fabrication and erection of Steel Building Systems.
- 1.2 This Standard includes only the necessary technical provisions for Steel Building Systems and is not intended to cover other contractual matters.

2. GENERAL

- 2.1 This Standard shall apply in those cases where the provisions of building codes or the Buyer's stated requirements are not specific. In the event of any conflict between the provisions of this Standard and the building regulations, such regulations shall apply and this Standard shall only supplement as applicable.
- 2.2 Where reference is made to another publication, such reference shall be considered to apply to the latest edition or revision approved by the organization issuing that publication.
- 2.3 Unless otherwise specified, the Manufacturer shall furnish all required materials in accordance with this Standard.
- 2.4 Unless otherwise specified, the roof slope, eave height, length and width of building and spacing of bays shall be to the Manufacturer's standards.

3. DEFINITIONS

- 3.1 **Steel Building System** means an integrated assembly of manufactured steel structural components and cladding components specifically designed by the manufacturer to support and transfer loads and provide a complete or partial building shell.
- 3.2 **Manufacturer** means a company that fabricates a Steel Building System.
- 3.3 **Seller** means the person, firm or organization who sells a Steel Building System, whether a Manufacturer, dealer or erector.

- 3.4 **Buyer** means a person, firm or organization contracting with the Seller for the supply of a Steel Building System.
- 3.5 **Structural Framing** means the steel framework consisting of primary members (rigid frames, beams, girders, trusses, arches, rafters, columns), secondary members (purlins, joists, struts, bracing, tension rods, girts, eave struts, base angle and channel, header, jambs, sills and other structural items) and all necessary hardware.
- 3.6 **Cladding** means the exposed exterior wall and roof skin of any material type and combination including fasteners and attachments, weather sealants, trim, flashing, fascia, and closures, as applicable.
- 3.7 **Appurtenances** means accessory items such as doors, windows, louvres, ventilators, fans, ceilings, insulation, sky and wall lights, partitions, interior liner, gutters and downspouts, as applicable.

4. DESCRIPTION OF TYPES OF STEEL BUILDING SYSTEMS

- 4.1 **Rigid Frame:** This type of building, which may be either a single or multi-span structure, utilizes clear span rigid frames consisting of rafters (tapered or uniform depth) rigidly connected to columns (tapered or uniform depth) with either fixed or pinned base details. The rigid frames, spanning the width of the building, are spaced on predetermined bay lengths and support the secondary structural members and cladding.
- 4.2 **Beam and Column:** This type of building utilizes tapered or uniform depth beams or girders supported by columns and may be either a single or multi-span structure. The primary beams or girders, spanning the width of the building, are spaced on predetermined bay lengths and support the secondary structural members and cladding.
- 4.3 **Truss Frame:** This type of building utilizes variable or uniform depth braced trusses supported by columns and may be either a single or multi-span structure. The primary trusses spanning the width of the building, are spaced on pre-determined bay lengths and support the secondary structural members and cladding.
- 4.4 **Self-Framing:** This type of building utilizes the cladding as primary load bearing roof and/or wall elements in addition to functioning as a weather barrier, and may be either a single or multi-span structure.

5. CHECKLIST OF ITEMS

- 5.1 A Steel Building System includes the following:
- 5.1.1 Structural Framing (excluding self-framing type) including all necessary hardware.
 - 5.1.2 Cladding, including fasteners, and attachments, weather sealants, flashing, trim, fascia and closures, as applicable.
 - 5.1.3 Exterior doors, windows, louvres and ventilators, including framing, fittings and hardware, as applicable.
 - 5.1.4 Valley gutters if required in multi-span buildings.
- 5.2 Unless otherwise specified, a Steel Building System does not include:
- 5.2.1 Foundations and their design.
 - 5.2.2 Anchor bolts, anchor bolt templates, and levelling plates.
 - 5.2.3 Setting, or supervision of setting, of anchor bolts.
 - 5.2.4 Grouting of any type in the recess around the base of the wall cladding.
 - 5.2.5 Grouting under columns, door jambs and end wall columns.
 - 5.2.6 Electrical installations and wiring.
 - 5.2.7 Plumbing, heating and air conditioning.
 - 5.2.8 Field painting or finish painting.
 - 5.2.9 Interior finishing and carpentry work of any kind.
 - 5.2.10 Masonry or masonry anchors.
 - 5.2.11 Step flashing, and flashing to existing buildings.
 - 5.2.12 Valley interior downspouts, and drains (either underfloor or overhead).
 - 5.2.13 Cranes, including beams, rails and hoists.
 - 5.2.14 Glazing for windows and other openings.
 - 5.2.15 Miscellaneous items such as exhaust fans, eave gutters and downspouts.
 - 5.2.16 Openings, flashing, and framing in roof and wall required by other trades and for accessories furnished by others.
 - 5.2.17 Insulation.
 - 5.2.18 Structural fire protection.

6. MATERIAL STANDARDS

6.1 Structural Framing

- 6.1.1 Members and components of the structural framing shall be fabricated of structural quality steel conforming to CSA or ASTM material standards.
- 6.1.2 Structural fasteners shall be of a type permitted by CSA Standards CAN/CSA-S16 or CAN/CSA-S136.

6.2 Cladding

- 6.2.1 Cladding materials, including coatings and finishes, shall be suitable for weather exposure under the anticipated environmental conditions.
- 6.2.2 Carbon and low-alloy sheet steel shall conform to an appropriate CSA, ASTM or other published material standard, and shall be protected with a zinc or 55% aluminum-zinc alloy coating. Base steel design thickness shall be 0.46 mm (0.018 in) or greater.
- 6.2.3 Zinc coated sheet steel shall conform to ASTM A653/A653M, with minimum coating Z275 (G90). 55% aluminum-zinc alloy coated sheet steel shall conform to ASTM A792/A792M with minimum coating AZM150 (AZ50).
- 6.2.4 Prefinished sheet steel shall be coated in coil form with colours of proven durability for exterior exposure that will meet the performance standards of CSSBI S8 *Quality and Performance Specification for Prefinished Sheet Steel Used for Building Products*.
- 6.2.5 Fasteners for attaching cladding to structural framing and for attaching flashing, trim, etc., shall be to the Manufacturer's standards. Carbon steel fasteners shall have a minimum coating thickness of 0.008 mm (0.0003 in) of zinc or equivalent.

6.3 Appurtenances

- 6.3.1 Unless otherwise specified, all appurtenances included with the Steel Building System shall be to the Manufacturer's standards.

7. DESIGN LOADS AND COMBINATIONS

- 7.1 Unless otherwise specified by the Provincial Building Code, the values, dispositions and combinations of live loads, including wind loads, snow loads and seismic loads shall be as prescribed by the National Building Code of Canada for the locality concerned.
- 7.2 Dead load shall include the weight of all permanent construction and specified stationary equipment.

- 7.3 Live load shall include loads due to use and occupancy, specified movable equipment, impact and any other specified live load.
- 7.4 Snow and associated rain load, including any snow load accumulations.
- 7.5 Wind load shall be that due to wind blowing on the building from any horizontal direction.
- 7.6 Seismic load shall be the lateral load acting on the building in any horizontal direction as the result of earthquake motion.

8. DESIGN

- 8.1 The following standards shall apply to design:
 - 8.1.1 Structural steel members and parts: CSA Standard CAN/CSA-S16.
 - 8.1.2 Cold formed steel structural members: CSA Standard CAN/CSA-S136.
 - 8.1.3 Structural welding (metal arc): CSA Standard W59.
 - 8.1.4 Resistance welding: CSA Standard CAN/CSA-S136.
- 8.2 Framed openings for windows, doors and other appurtenances shall be designed to structurally replace the cladding or framing members they displace.
- 8.3 Cladding components, including joints, flashing and attachments of appurtenances shall be designed to be weathertight.

9. FABRICATION

- 9.1 Manufacturers of Steel Building Systems shall be approved to the requirements of CSA Standard CSA-A660.
- 9.2 Materials furnished shall be as specified for the Steel Building System.
- 9.3 Components of the Steel Building System shall be fabricated true to dimensions so that in erection parts will fit properly together. Fabrication tolerances for formed and built up structural members are given in Figures 1 and 2.
- 9.4 The size and weight of components as packaged for shipment shall be such as to permit transportation by common carrier.
- 9.5 Fabricators of welded structural components shall be approved to the requirements of CSA Standard W47.1 and/or CSA Standard W55.3, as applicable.

- 9.6 All structural framing members shall have one coat of factory applied primer (shop coat) on suitably prepared surfaces. These coatings are intended for short term temporary protection only.
- 9.7 Dissimilar materials which are incompatible in contact shall be separated by means of suitable coatings, gaskets or other effective means.

10. MARKING AND IDENTIFICATION

- 10.1 Erection part numbers shall be shown clearly on all members or bundles of identical pieces.
- 10.2 Fasteners required for erection shall be packaged and identified by size and type.
- 10.3 A master shipping list containing a description of the material, including erection part numbers, shall accompany the shipment of material.

11. INSPECTION

- 11.1 All finished material shall be inspected by the Manufacturer prior to shipment.

12. ERECTION

- 12.1 Unloading instructions, storage of materials and erection procedures as outlined by the Manufacturer shall be followed as closely as possible.
- 12.2 Erection tolerances for structural framing shall be in accordance with CSA Standard CAN/CSA-S16. In general, structural framing members are considered plumb, level, and aligned when the variance does not exceed 1:500.

13. DRAWINGS

- 13.1 Proposal drawings, when required, indicating the scope of work covered by the proposal, shall be considered as sufficient information for bidding purposes.
- 13.2 After award of contract, but prior to shipment of material, erection drawings, foundation loads and anchor bolt setting plans shall be available from the Seller.

14. CERTIFICATION

- 14.1 The SBS Manufacturer shall submit a completed "Certificate of Design and Manufacturing Conformance with NBC, 2015 ", CSSBI C1, or as given in the CSA Standard CSA-A660. The certificate shall be signed and sealed by a professional engineer registered in the corresponding province of Canada.

- 14.2 If requested by the Buyer, the Seller shall submit with the proposal and/or bid, the certificate of a professional engineer registered in the corresponding province of Canada to the effect that the Steel Building System is in accordance with the stated requirements of the Buyer, the building regulations and this Standard, so far as is applicable.
- 14.3 If requested by the Buyer, upon award of contract the Seller shall submit a structural analysis of the Steel Building System which is the subject of such contract. The analysis shall be signed and sealed by a professional engineer registered in the corresponding province of Canada.

Figure 1: Fabrication tolerances for built-up structural members

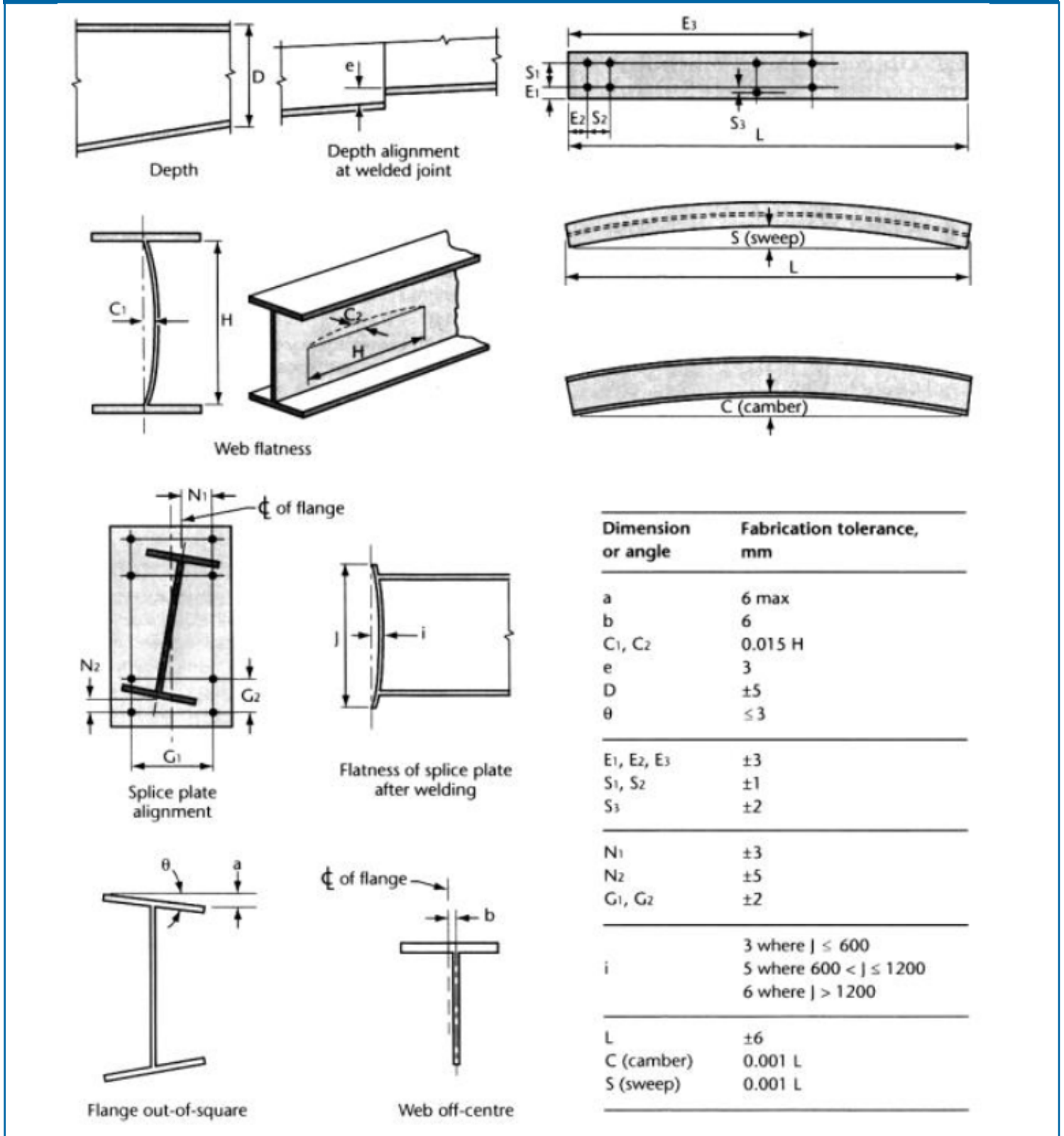
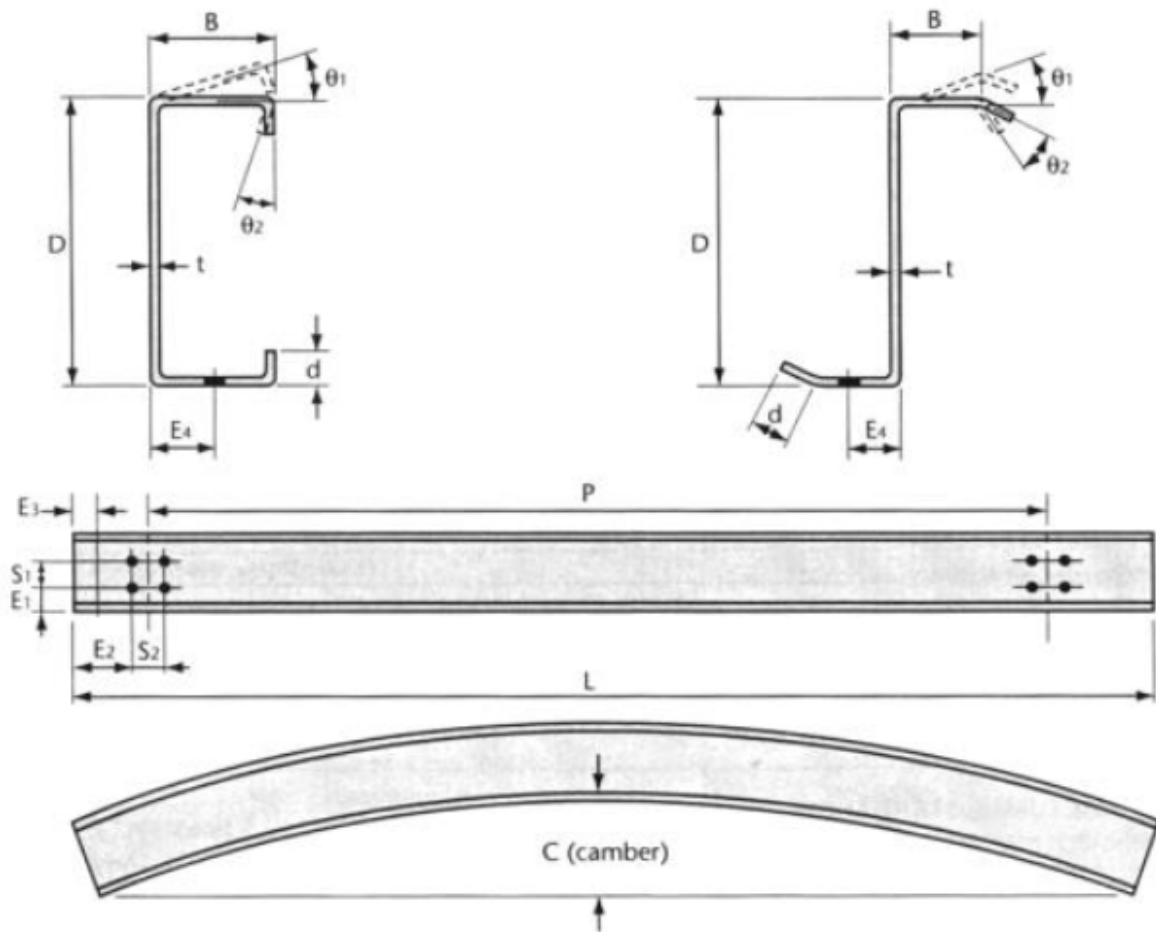


Figure 2: Fabrication tolerances for formed structural members



Dimension or angle	Fabrication tolerance, mm
B, D	± 5
d	+10, -3
θ_1	$\pm 3^\circ$
θ_2	$\pm 5^\circ$
P, L	± 3
C	$0.002 L$
E_1, E_2, E_3, E_4	± 3
S_1, S_2	± 2
t	in accordance with CAN/CSA-S136